

Agilent J1518AC

Keyboard Rack Mount Kit

Installation Guide



Agilent Technologies

November 2001
Printed in U.S.A. E1101



J1518-90001

Errata

Agilent References in this manual

NOTICE: This document contains references to Agilent Technologies. Agilent's former Test and Measurement business has become Keysight Technologies. For more information, go to:

www.keysight.com

About this manual

We've added this manual to the Keysight website in an effort to help you support your product. This manual provides the best information we could find. It may be incomplete or contain dated information.

Support for your product

You can find information about technical and professional services, product support, and equipment repair and service on the web:

www.keysight.com

Select your country from the drop-down menu at the top. Under *Electronic Test and Measurement*, click on *Services*. The web page that appears next has contact information specific to your country.

For more detailed product information, go to: www.keysight.com/find/ *<product model>*
i.e., for the M9514A, use: www.keysight.com/find/M9514A

Hypertext links to documents on agilent.com are no longer active. Use this substitution to access PDF files:

Broken links have the form: <http://cp.literature.agilent.com/litweb/pdf/> *< literature_part_number >*

Substitute links with this form: <http://literature.cdn.keysight.com/litweb/pdf/> *< literature_part_number >*

Where *< literature_part_number >* has the form: M9300-90001.pdf

For service notes, use: www.keysight.com/find/servicenotes

Notice

The information contained in this document is subject to change without notice.

AGILENT TECHNOLOGIES MAKES NO WARRANTY OF ANY KIND WITH REGARD TO THIS MATERIAL, INCLUDING, BUT NOT LIMITED TO, THE IMPLIED WARRANTIES OF MERCHANTABILITY AND FITNESS FOR A PARTICULAR PURPOSE.

Agilent Technologies shall not be liable for errors contained herein or for incidental or consequential damages in connection with the furnishing, performance, or use of this material. This document contains proprietary information, which is protected by copyright. All rights are reserved. No part of this document may be photocopied, reproduced, or translated into another language without the prior written consent of Agilent Technologies.

Copyright © 1998, 2001 Agilent Technologies, Inc.

Contents

- 2 Rear Brackets (PN 5064-6119)
- 2 Sheet Metal Nuts (PN 1590-2318)
- 1 Keyboard Kit Assembly (PN J1518-60001)
- 2 Decorative Gray Screws (PN 0570-1581)
- 2 Torx 25 Screws with Lock Washers (PN 0590-0804)
- 2 Spare Mouse Cable Clips (PN 1400-2146)

Tools Needed: Torx 25 Driver

General Information

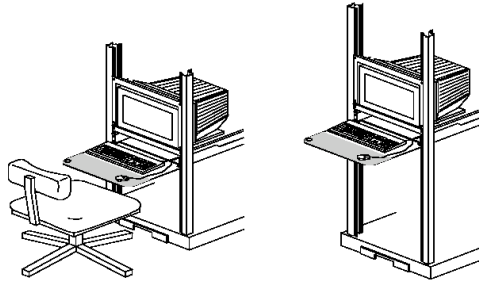
This kit requires 2 EIA units in your Agilent rack.

NOTE: Extend the rack's four stabilizer feet before installing components in the rack.

STEP 1

Choose EIA location for the keyboard.

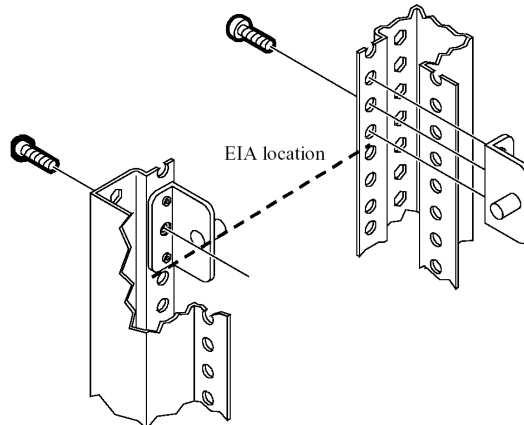
Determine whether the operator will sit or stand while using the keyboard, and locate the EIA unit that places the bottom of the Keyboard Tray at the correct height.



STEP 2

Position and attach Rear Brackets.

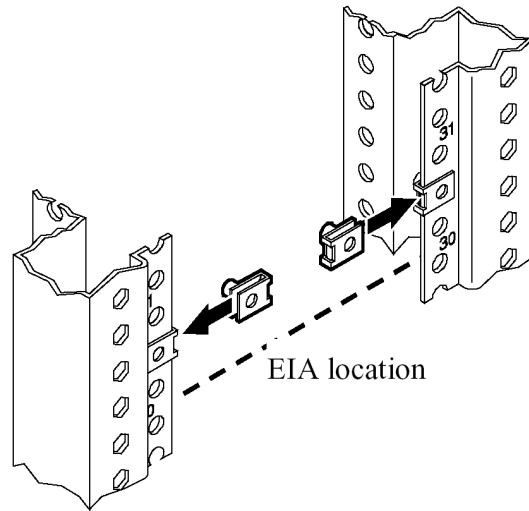
Position the bottoms of the Rear Brackets at the desired EIA location. Install with two non decorative Torx 25 bolts.



STEP 3

Install Sheet Metal Nuts in front columns.

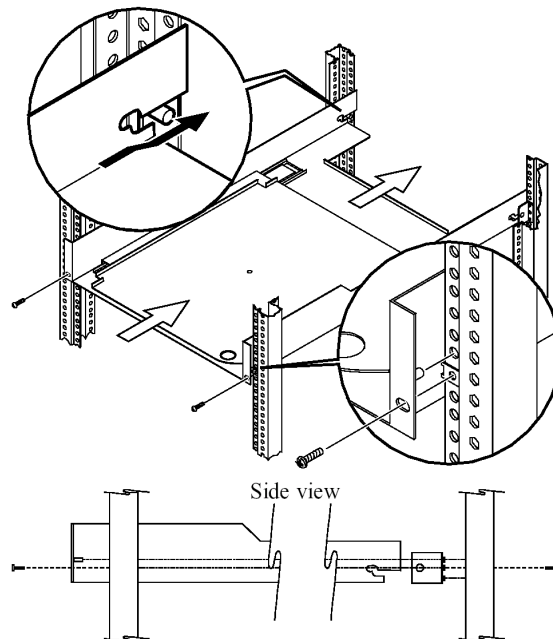
On the middle hole of the EIA unit located in Step 1, place sheet metal nuts on the front columns as shown. (The shown EIA location is an example location.)



STEP 4

Install Keyboard Tray.

Standing in front of the rack and holding the front of the Keyboard Tray, move it to the rear. The pins pointing in on the Rear Brackets fit into the channels cut into the back of the Keyboard Tray. Align the front of the kit at the EIA location.



STEP 5

Install Decorative Gray Screws in front column.

Front holes in the Keyboard Tray should align with Sheet Metal Nuts attached in Step 3.

STEP 6

Install keyboard and mouse.

After reading this instruction, remove this instruction label. Install keyboard and mouse. Install cable guide. Route the mouse cable through the guide. Use the spare cable clips as necessary. Installation complete.

